

Crafting Your Embroidered Vanity Pouch (Complete DIY Tutorial in cm)

This step-by-step guide will walk you through creating a beautiful embroidered vanity pouch from start to finish. All measurements are in centimeters, just like the original pattern. Whether you're a beginner or experienced crafter, follow carefully and you'll have a polished, functional pouch at the end. <https://handcrafted.craftsforlove.com/> **SEE THE BEST PATTERNS**

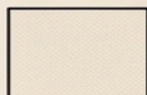


CRAFTING YOUR EMBROIDERED VANITY POUCH: A DIY TUTORIAL (MEASUREMENTS IN CM)

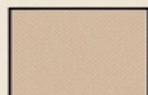
handcrafted.craftsforlove.com

1. GATHER MATERIALS

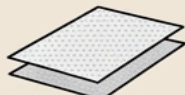
Collect and prepare all items.



Main fabric



Lining fabric



Interfacing (e.g. fusible, 1cm thick)



Embroidery floss



Needle



Zipper (double-zip 20cm)

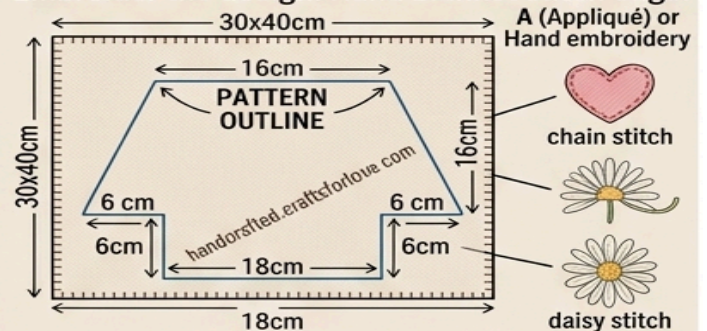


Handle webbing (4x15cm)

handcrafted.craftsforlove.com

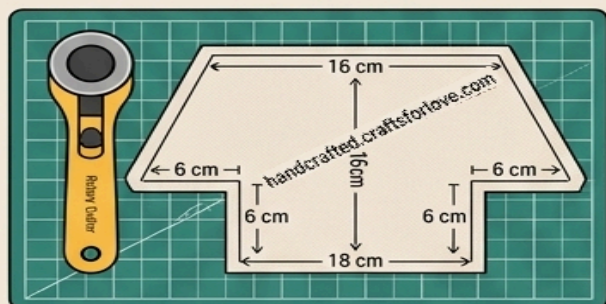
2. PREPARE & EMBROIDER YOUR PANEL

Transfer the pattern to your fabric panel. Embroider the design. Hand blanket stitch edge.



3. CUT THE PANEL & INTERFACING

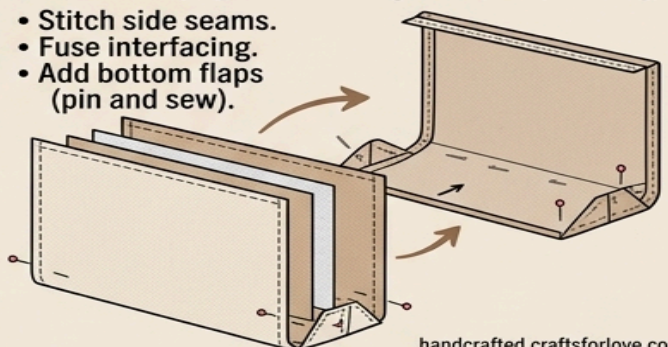
Cut fabric, lining, and interfacing (1cm thick) to the pattern dimensions. Cut 2 pieces of each.



4. ASSEMBLE POUCH SHELL (P)

Match RST (Right Sides Together). P (Piecing).

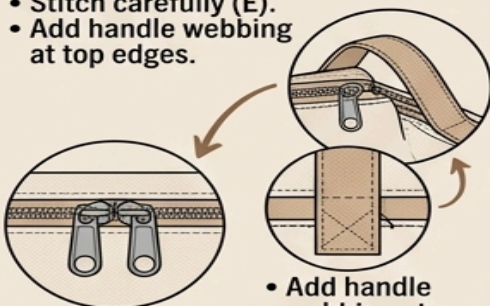
- Stitch side seams.
- Fuse interfacing.
- Add bottom flaps (pin and sew).



handcrafted.craftsforlove.com

5. INSERT ZIPPER & HANDLE (E)

- Fold top edges.
- Insert double-pull zipper.
- Stitch carefully (E).
- Add handle webbing at top edges.



- Add handle webbing at

6. ATTACH LINING & FINISH

- Create lining pouch.
- Insert into pouch shell.
- Q (Quilting - Hand - interfacing choice).



- Topstitch handle.
- Finished Pouch!

LEGEND OF KEY METHODS (Q)

- A** APPLIQUÉ - Stitching shapes onto background (used for heart or birds)
- P** PIECING - Sewing together varied shapes (body assembly)
- E** EMBROIDERY - Hand or machine stitching (main decoration)
- Q** QUILTING - Layering top, batting, and backing with interfacing but defined

RST = Right Sides Together
CM measurements specified

<https://handcrafted.craftsforlove.com/> SEE THE BEST PATTERNS

Step 1: Gather Your Materials

Before starting, make sure you have all your supplies ready:

- Main fabric (outer layer)
- Lining fabric (inner layer)
- Interfacing (fusible, approx. 1 cm thick)
- Embroidery floss (colors of your choice)
- Hand sewing needle
- Double zipper (20 cm length)
- Handle webbing (4 cm x 15 cm)

Tip: Choose medium-weight cotton or canvas for best structure and ease of sewing.

<https://handcrafted.craftsforlove.com/> SEE THE BEST PATTERNS

Step 2: Prepare & Embroider Your Panel

Start with your main fabric panel measuring **30 cm x 40 cm**.

1. Lightly draw or transfer your pattern outline onto the fabric.
2. The pouch shape includes:
 - Top width: 16 cm
 - Bottom width: 18 cm
 - Side cut-outs: 6 cm (height and width)
3. Center your design inside this shape.

Now embroider your design:

- Use **chain stitch** for outlines or decorative lines.
- Use **daisy stitch** for flowers or petals.
- You may also add appliqué (like a heart) or freehand embroidery.

Optional: Finish the panel edges with a blanket stitch for a decorative touch.

Take your time here—this is the focal point of your pouch ✨

<https://handcrafted.craftsforlove.com/> SEE THE BEST PATTERNS

<https://handcrafted.craftsforlove.com/> SEE THE BEST PATTERNS



Step 3: Cut the Panel & Interfacing

Using your prepared pattern:

1. Cut **2 identical pieces** from:
 - Main fabric
 - Lining fabric
 - Interfacing
2. Each piece should follow the exact shape:
 - Top: 16 cm wide
 - Bottom: 18 cm wide
 - Side notches: 6 cm x 6 cm


Tip: Use a rotary cutter or sharp scissors for clean edges.



Step 4: Assemble the Pouch Shell

Now you'll build the outer structure. <https://handcrafted.craftsforlove.com/> SEE THE BEST PATTERNS

1. Place main fabric pieces **right sides together (RST)**.
2. Stitch along the side seams.
3. Attach interfacing to the wrong side of the fabric using heat (follow interfacing instructions).
4. Fold and align the bottom flaps created by the cut-outs.
5. Pin and sew the bottom corners to form depth.

You should now see the pouch taking shape 



Step 5: Insert Zipper & Handle

1. Fold down the top edges neatly.
2. Insert the **20 cm double zipper** between the top edges.
3. Stitch carefully along both sides of the zipper.
4. Take your **handle webbing (4 x 15 cm)**:
 - Position it centered on the top
 - Secure both ends with reinforced stitching

Tip: Go slow when sewing the zipper to avoid misalignment.

<https://handcrafted.craftsforlove.com/> SEE THE BEST PATTERNS

Step 6: Attach Lining & Finish

1. Sew the lining pieces together the same way as the outer shell.
2. Insert the lining into the pouch shell (wrong sides together).
3. Secure the lining along the zipper edge.
4. Topstitch around the zipper for a clean, professional finish.
5. Reinforce the handle stitching if needed.

Turn the pouch right side out—and you're done! 🎉

Key Techniques Explained

- **Appliqué:** Stitching decorative shapes onto fabric
- **Piecing:** Sewing different fabric pieces together to form structure
- **Embroidery:** Hand or machine stitching for decoration
- **Quilting:** Layering fabric with interfacing for stability
- **RST (Right Sides Together):** Fabric faces inward while sewing

You now have a fully handmade embroidered vanity pouch—perfect for cosmetics, travel, or gifting 💖

<https://handcrafted.craftsforlove.com/> SEE THE BEST PATTERNS