

# Denim Tote Bag Pattern

## Step 1: Prepare Pattern & Deconstruct Jeans

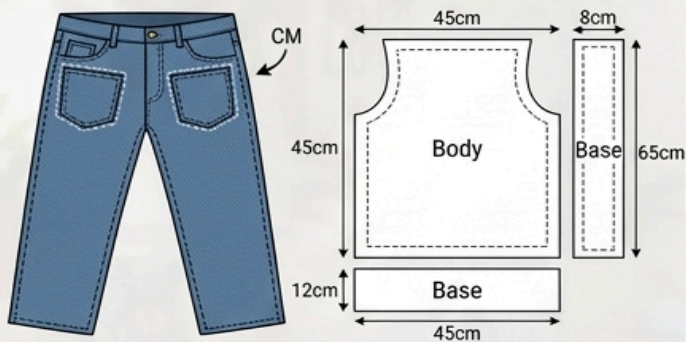
Start by selecting a sturdy pair of denim jeans. Heavier denim works best because it gives your tote structure and durability.

Carefully cut apart the jeans along the seams. You want to preserve as much flat fabric as possible. Remove the back pocket panel intact, since it will be reused later.

<https://handcrafted.craftsforlove.com/> SEE THE BEST PATTERNS

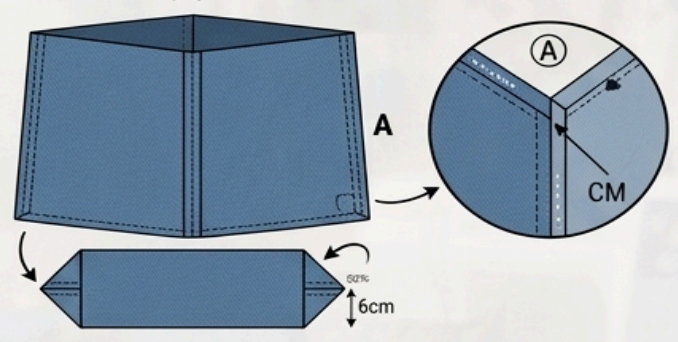
## GUIDE TO CRAFTING YOUR RECYCLED DENIM WORKSHOP TOTE (Everything Detailed in One Page)

### 1. PREPARE PATTERN & DECONSTRUCT JEANS



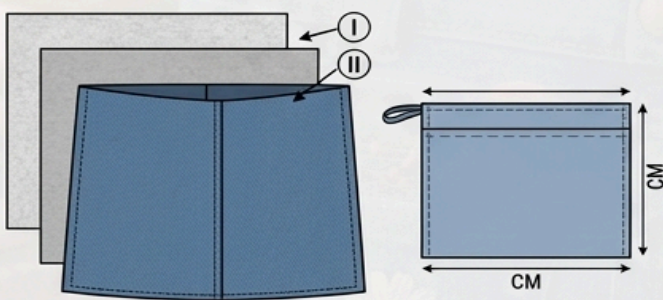
- Choose sturdy denim.
- Measure pattern pieces in CM (e.g., Body 45cm x 35cm, Base 12cm x 45cm, Handles 65cm x 8cm).
- Carefully remove back pocket panel. Mark CM lines.

### 2. PIECING (P) & BASE ASSEMBLY



Match R.S.T. (Right Sides Together) and sew main panels (A). Fold and stitch base. Create 6cm depth with the boxed corner. CM line guides.

### 3. INTERFACING (I) & LINING PREP



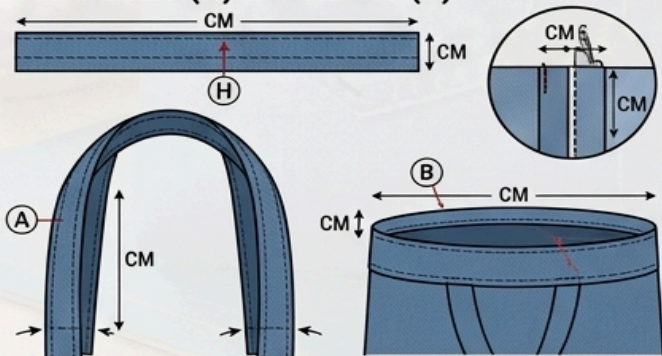
- Layer interfacing (I) for structure. CM cut size.
- Sew lining fabric pouch. Option: add internal pocket. CM guidelines.

### 4. ATTACH POCKETS & CHARMS (C)



- Position back pocket on main body.
- Edgestitch (A) in place.
- Add daisy charm, leaf charm, blue tassel, and heart button detailed in <IMAGE 0>. Pin for secure position.

### 5. HANDLES (H) & BINDING (B)



- Fold handle strip, press, and topstitch (A).
- Position handles and top-stitching.
- Prepare top binding strip. Apply binding (B) to top raw edge. Topstitch.

### 6. COMPLETED PROJECT & LEGEND



#### LEGEND

- |                                                                                     |                                                                                              |
|-------------------------------------------------------------------------------------|----------------------------------------------------------------------------------------------|
| (A) <b>APPLIQUÉ</b> - Stitching one fabric piece onto another.                      | (C) <b>CHARM/EMBELLISHMENT ATTACHMENT</b> - Hand or machine securing small decorative items. |
| (P) <b>PIECING</b> - Sewing varied fabric shapes together to form a pattern or top. | (B) <b>BINDING</b> - Finishing raw edges with fabric tape.                                   |
| (I) <b>INTERFACING</b> - Stiffening layer added for structure.                      | R.S.T. - Right Sides Together (method detail).<br>CM measurements specified throughout.      |

- <https://handcrafted.craftsforlove.com/> SEE THE BEST PATTERNS

Now measure and cut your pattern pieces:

- Main Body (2 pieces): 45 cm x 45 cm
- Base (1 piece): 45 cm x 12 cm
- Side/Base strip (if separate): 65 cm x 8 cm
- Handles (2 strips): 65 cm x 8 cm

Use chalk to mark seam allowances (CM = construction margin) around each piece. Keep your lines straight and consistent.

Tip: Iron your denim pieces flat before cutting for better accuracy.

## Step 2: Piecing (P) & Base Assembly

Place the two body panels right sides together (RST = Right Sides Together).

Sew along both side seams and the bottom edge using a straight stitch, following your seam allowance lines.

Next, attach the base: <https://handcrafted.craftsforlove.com/> SEE THE BEST PATTERNS

- Align the base piece with the bottom opening
- Sew it carefully, pivoting at corners

To create depth (boxed corners):

- Flatten each bottom corner into a triangle
- Measure 6 cm from the tip
- Sew straight across
- Trim excess fabric if desired

This gives your bag a structured base and about 6 cm of depth.

## Step 3: Interfacing (I) & Lining Preparation

Cut interfacing to match your main body pieces. This adds stiffness and helps your tote hold its shape.

Attach interfacing by ironing it onto the wrong side of your denim panels.

Now prepare the lining:

- Cut lining fabric to match the body dimensions
- Sew side seams and bottom like the outer bag
- Optional: add an internal pocket before assembling the lining

Leave a small opening in the lining seam if you plan to turn the bag later through it.

## Step 4: Attach Pockets & Charms (C)

Take the back pocket you removed earlier.

Position it on the outer front panel of your bag. Center it or place it slightly off-center depending on your style.

Topstitch around the pocket edges to secure it firmly.

Now decorate your pocket:

- Add a daisy patch or applique 🌻
- Attach small charms like a leaf, tassel, or heart button
- Pin items first to test placement before sewing

You can hand-sew or machine-stitch embellishments depending on size and detail.

## Step 5: Handles (H) & Binding (B)

Create the handles: <https://handcrafted.craftsforlove.com/> SEE THE BEST PATTERNS

- Fold each 65 cm x 8 cm strip lengthwise
- Fold raw edges inward toward the center
- Press flat with an iron
- Topstitch along both long edges

Attach handles to the bag:

- Position them evenly on the front and back panels
- Ensure both sides are aligned and equal length
- Stitch securely with reinforced seams (backstitch)

Now finish the top edge: <https://handcrafted.craftsforlove.com/> SEE THE BEST PATTERNS

- Prepare a binding strip
- Fold it over the raw edge of the bag opening
- Pin all around
- Topstitch neatly to secure

This creates a clean, professional finish.

## Step 6: Assemble & Finish the Tote

Place the outer bag inside the lining (right sides together).

Align top edges and sew all around the opening.

Turn the bag right side out through the lining opening.

Close the lining opening with a stitch (hand stitch or machine).

Push the lining inside the bag and press the top edge flat.

Optionally, topstitch around the top edge for extra durability and a polished look.

## Final Result & Tips ✨

You now have a fully functional recycled denim workshop tote with:

- Structured base (boxed corners)
- Reinforced handles
- Decorative pocket with embellishments
- Clean interior lining

Helpful tips: <https://handcrafted.craftsforlove.com/> **SEE THE BEST PATTERNS**

- Use a heavy-duty needle for denim
- Go slowly over thick seams
- Double-stitch stress points (handles and corners)
- Customize with patches, pins, or embroidery
- <https://handcrafted.craftsforlove.com/> **SEE THE BEST PATTERNS**